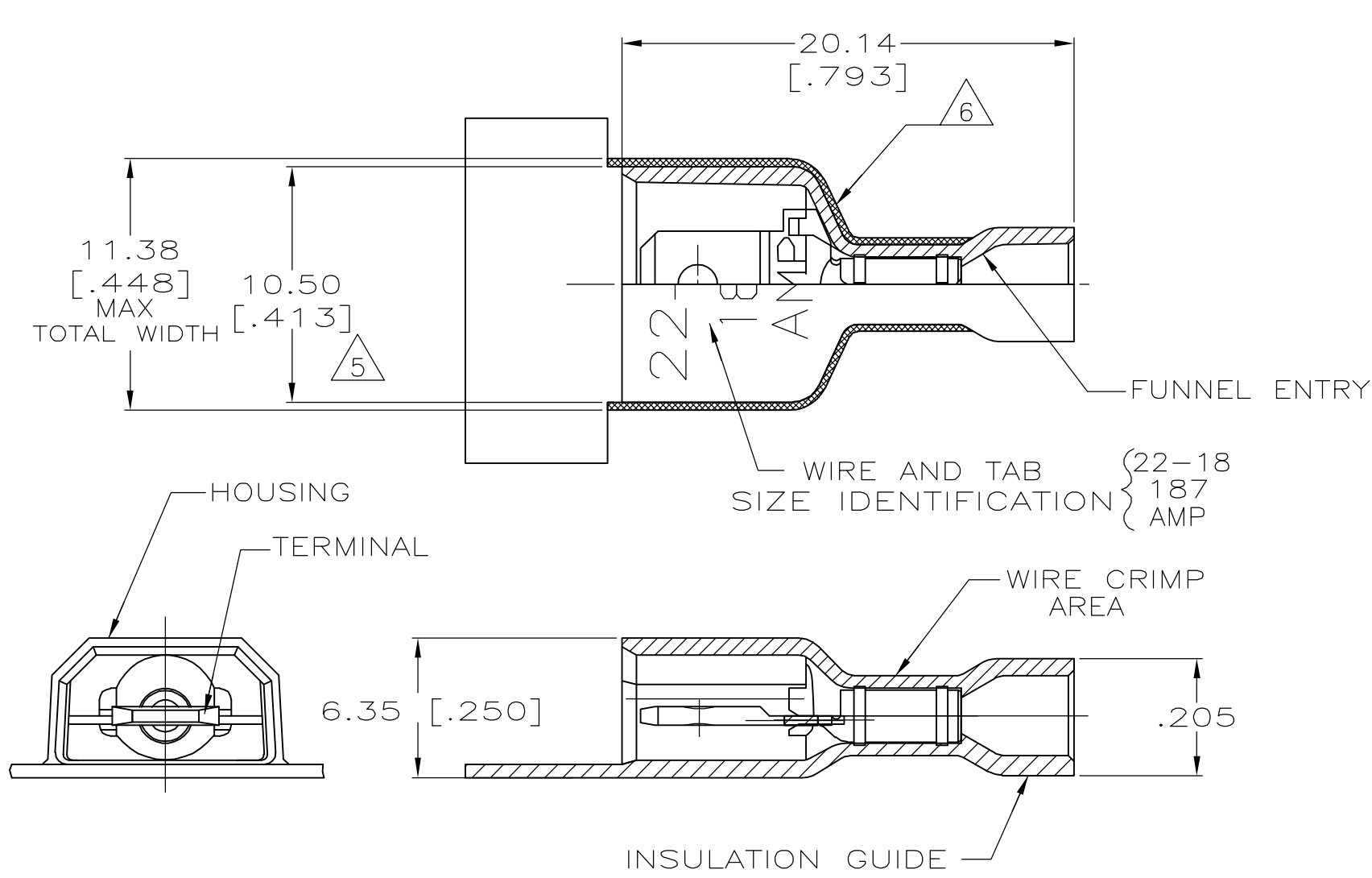


LOC	DIST	REVISIONS					
AF	50	P	LTR	DESCRIPTION	DATE	DWN	APVD
			D	REVISED PER ECR-06-009299	30AUG06	HMR	RL



- 1 TAB DIMENSIONS $.032^{+0.001}_{-0.002}$ x .187
- 2 WIRE STRIP LENGTH .281
- 3 INSULATION SIZE .135 MAX DIA
- 4 CONTINUOUS STRIP ON REELS
- △5 DIMENSION DOES NOT INCLUDE TRIM BURR
- △6 .015 MAX CARRIER TRIM BURR PER SIDE IS ALLOWABLE IN THE SHADED AREA

HOUSING: NYLON, COLOR-RED TRANSLUCENT TAB: #3 HARD BRASS, TIN .000080 MIN	2-521104-2
MATERIAL & FINISH	PART NO

THIS DRAWING IS A CONTROLLED DOCUMENT.		DWN	JR RUTH	9/25/95	 Tyco Electronics Corporation Harrisburg, PA 17105-3608										
DIMENSIONS: mm [INCHES]		CHK	MS FEHER	9/25/95											
TOLERANCES UNLESS OTHERWISE SPECIFIED:		APVD	J WORMAN	9/25/95											
<table border="0"> <tr> <td>0 PLC</td> <td>± -</td> </tr> <tr> <td>1 PLC</td> <td>± -</td> </tr> <tr> <td>2 PLC</td> <td>± 0.38 [.015]</td> </tr> <tr> <td>3 PLC</td> <td>± -</td> </tr> <tr> <td>4 PLC ANGLES</td> <td>± -</td> </tr> </table>		0 PLC	± -	1 PLC	± -	2 PLC	± 0.38 [.015]	3 PLC	± -	4 PLC ANGLES	± -	NAME		TAB ASSEMBLY, ULTRA-FAST, 4.75 [.187] SERIES, 22-18 AWG	
0 PLC	± -														
1 PLC	± -														
2 PLC	± 0.38 [.015]														
3 PLC	± -														
4 PLC ANGLES	± -														
MATERIAL SEE TABLE		FINISH SEE TABLE		PRODUCT SPEC	108-2017										
		APPLICATION SPEC		114-2123											
		WEIGHT		-											
		CUSTOMER DRAWING		SIZE	A3										
		SCALE		4:1											
		SHEET		1 of 1											
		REV		D											